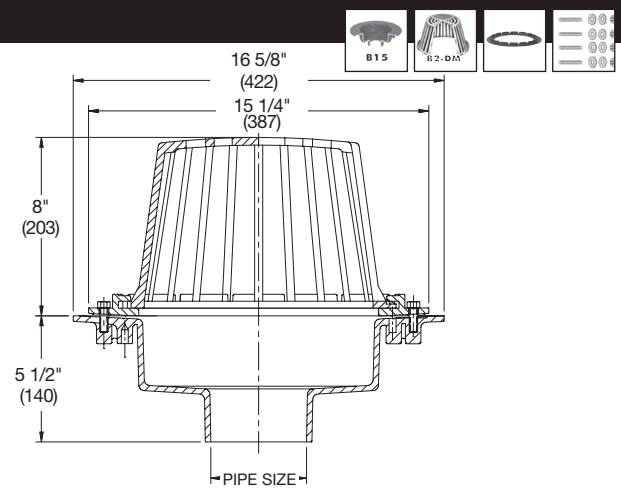


High Volume Roof Drains

RD-300 High Volume Roof Drain

Model Number	Outlet Size	WT., lbs.	List Price
RD-302, 3, 4	2,3,4,"	30	\$707.50
RD-305, 6	5, 6"	30	1,010.00
RD-308, 10	8, 10"	30	1,312.50

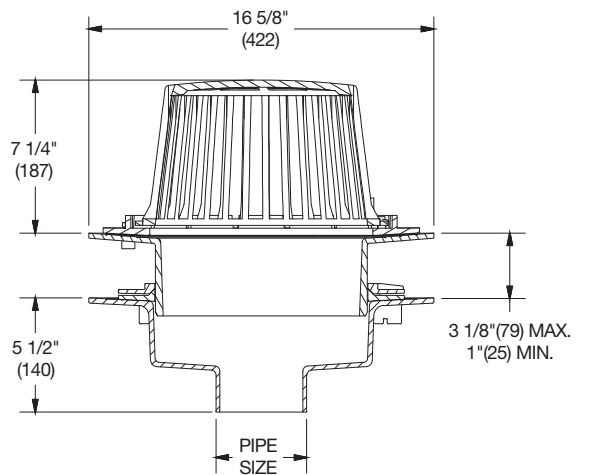


RD-300-AC Adjustable Extension Compression Seal Roof Drain

Model Number	Outlet Size	WT., lbs.	List Price
RD-302, 3, 4-AC	2, 3, 4"	63	\$1,367.00
RD-305, 6-AC	5, 6,"	63	1,669.00
RD-308, 10-AC	8, 10"	63	1,972.00

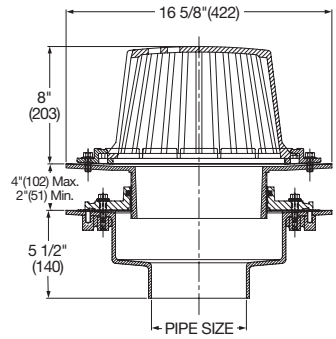


Note: December 2018 Launch



RD-300-AE Adjustable Extension Threaded Seal Roof Drain

Model Number	Outlet Size	WT., lbs.	List Price
RD-302, 3, 4-AE	2, 3, 4"	63	\$1,367.00
RD-305, 6-AE	5, 6,"	63	1,669.00
RD-308, 10-AE	8, 10"	63	1,972.00



Options for RD-300 Series:

Suffix	Description	List Price	Suffix	Description	List Price
-P	Push On Available on 3,4, & 6" Outlets Only	No Add	-K13	Galvanized Dome	\$568.50
-X	Inside Caulk	No Add	-K40	Ductile Iron Low Dome (4" High)	210.50
-13	Galvanized Body & Clamp	\$956.50	-K80	Aluminum Dome	244.50
-85	4" SS Perforated Extension	625.50	-K81	Rough Bronze Dome	1,796.00
-B	Sump Receiver	268.50	-K83	SS Mesh Covered Aluminum Dome	744.50
-D	Underdeck Clamp	240.50	-L	Vandal Proof Dome	123.50
-F	Deck Flange/Adj. Extension	659.50	-R	2" External Water Dam	230.50
-GSS	Stainless Steel Ballast Guard	625.50	-W	4" Internal Water Dam	423.00
-K	Ductile Iron Dome	210.50			

Consult factory for all applications outside of listed parameters. **WATTS®**
Prices do not include applicable taxes.